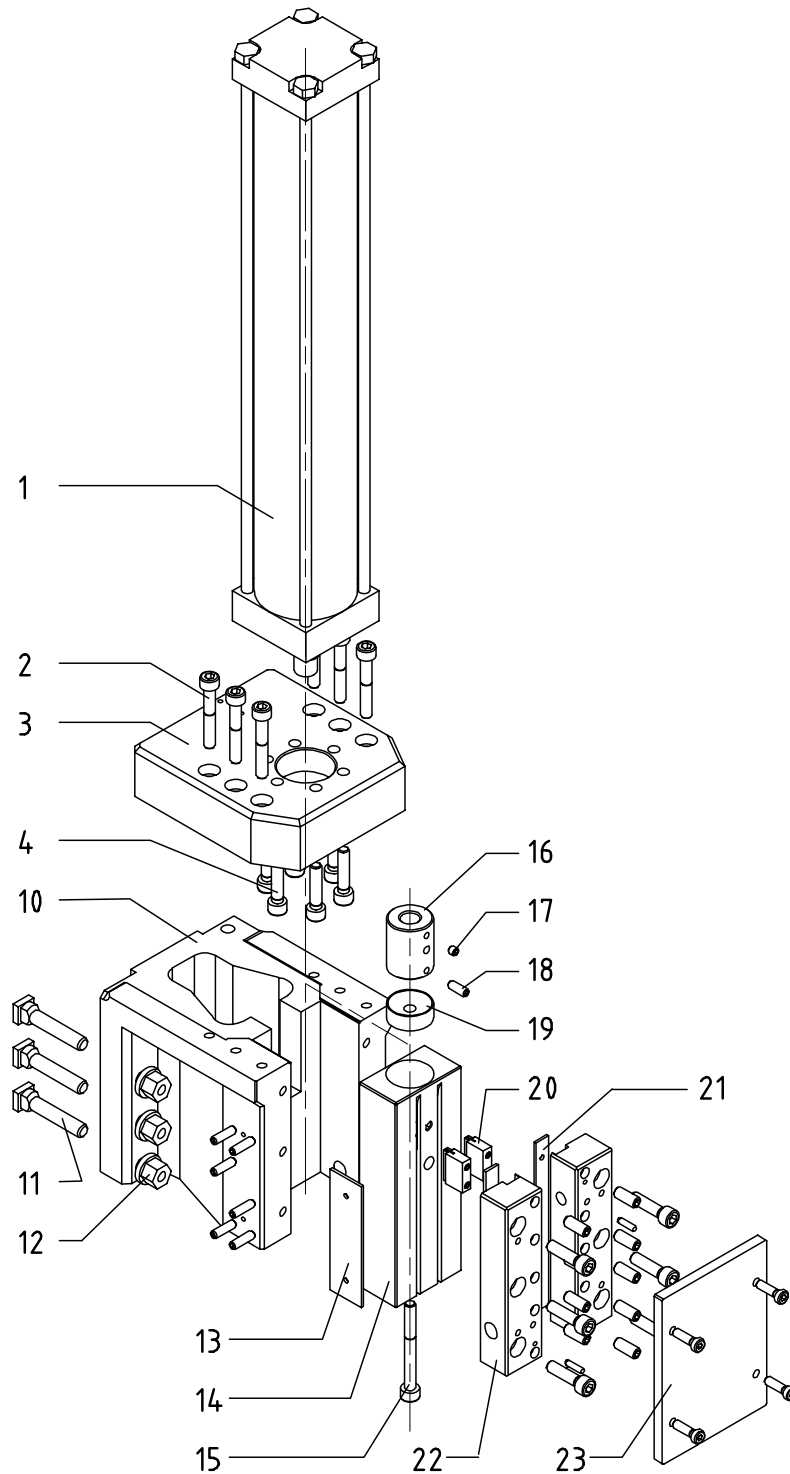


**Ersatzteile Typ 65**  
**Spare parts type 65**  
**Pièces de rechange type 65**



**SCHMIDT Schiebereinheit Nr. 65-100-6, Serie 2**

POS	MENGE	ARTIKEL NR.	BEZEICHNUNG
01	1	404559.52	HP-ZYLINDEREINHEIT TYP 65-100-6 SERIE 2
02	8	401042	ZYLINDERSCHRAUBE M10X45
03	1	403426	ADAPTERPLATTE TYP 63
04	6	401995	ZYLINDERSCHRAUBE M10X40 DIN 912-10.9
10	1	403425.31	HP-SCHIEBER TYP 63
11	8	401298.01	T-NUTENSCHRAUBE 12-M12X63
12	8	401301	SECHSKANTMUTTER M12
13	1	401313	FÜHRUNGSLEISTE 2,5X36X125
14	1	403427	STÖSSEL TYP 63/65 46X86
15	1	403365	ZYLINDERSCHRAUBE M8X85 DIN 912
16	1	403428	STÖSSELDRUCKSTÜCK TYP 63
17	1	403456	GEWINDESTIFT M 6X6 DIN 913
18	1	401710	GEWINDESTIFT M6X20
19	1	403429	KALOTTE
20	2	406078	SCHALTNOCKEN KOMPLETT
21	2	401312	FÜHRUNGSLEISTE 2,5X20X170
22	2	406533	DECKLEISTEN TYP 63
23	1	406535	ABDECKPLATTE TYP 63

**SCHMIDT press head No. 65-100-6, series 2**

POS	QUANTITY	ARTICLE NO.	DESCRIPTION
01	1	404559.52	HP CYLINDER UNIT TYPE 65-100-6 SERIES 2
02	8	401042	SOCKET HEAD SCREW M10X45
03	1	403426	ADAPTER PLATE TYPE 63
04	6	401995	SOCKET HEAD SCREW M10X40 DIN 912-10.9
10	1	403425.31	HP MODULAR HEAD TYPE 63/65
11	8	401298.01	T-BOLT 12-M12X63
12	8	401301	HEXAGON NUT M12
13	1	401313	GUIDE LEDGE 2,5X36X125
14	1	403427	RAM TYPE 63/65 46-86
15	1	403365	SOCKET HEAD SCREW M8X85 DIN 912
16	1	403428	SPHERICAL RAM COUPLING, CONCAVE TYPE 63
17	1	403456	SET SCREW 6X6 DIN 913
18	1	401710	SET SCREW M6X20
19	1	403429	SPHERICAL COUPLING, CONVEX
20	2	406078	TRIP CAM COMPLETE
21	2	401312	GUIDE LEDGE 2,5X20X170
22	2	406533	COVER PLATES TYPE 63
23	1	406535	COVER PLATE TYPE 63

## SCHMIDT tête de presse No. 65-100-6, série 2

POS	QUANTITÉ	NO. D'ARTICLE	DESCRIPTION
01	1	404559.52	VÉRIN HP TYPE 65-100-6 SÉRIE 2
02	8	401042	VIS A TÊTE CYLINDRIQUE M10X45
03	1	403426	PLAQUE D'ADAPTATION TYPE 63
04	6	401995	VIS A TÊTE CYLINDRIQUE M10X40 DIN 912-10.9
10	1	403425.31	TIROIR HP TYPE 63
11	8	401298.01	VIS EN T 12-M12X63
12	8	401301	ECROU A 6 PANS M12
13	1	401313	PLAQUE DE GUIDAGE 2,5X36X125
14	1	403427	COULISSEAU TYPE 63/65 46X86
15	1	403365	VIS À TÊTE CYLINDRIQUE M8X85 DIN 912
16	1	403428	COULISSEAU TYPE 63
17	1	403456	VIS SANS TÊTE M 6X6 DIN 913
18	1	401710	VIS SANS TÊTE M6X20
19	1	403429	CALOTTE
20	2	406078	CAME REGLABLE COMPLÈTE
21	2	401312	PLAQUE DE GUIDAGE 2,5X20X170
22	2	406533	PLAQUE TYPE 63
23	1	406535	PLAQUE TYPE 63